

# THE SMART ADHESIVE APPLICATION

## SDA SMART DOSING APPLICATOR

VOLUMETRIC APPLICATOR  
AND CONTROLLER

### MAIN FEATURES

#### **PRECISION AND AGILITY**

- High-precision internal gear pump.
- Servomotor for volumetric control.
- Sturdy.
- Minimum weight (4,5 kgs).
- Suitable for **high and low viscosity** adhesives.

#### **SMART PERFORMANCE**

- Application of highly complex set-points.
- Changes in less than 1".
- Beading and swirl application.

#### **INDUSTRY 4.0**

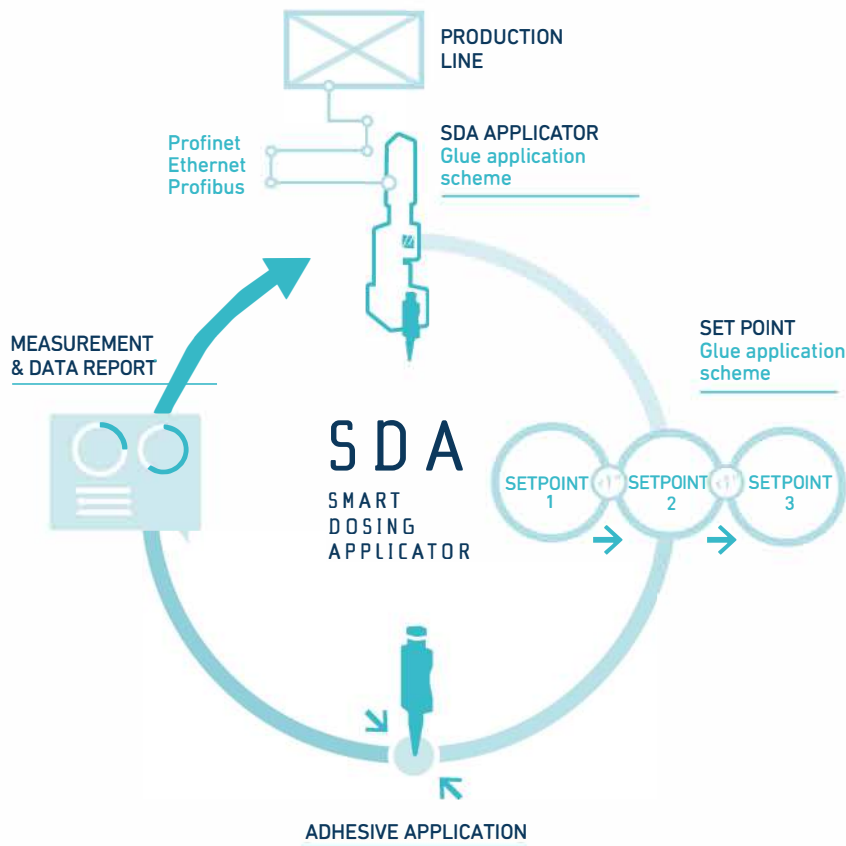
- Data measured and reported in real time.
- Traceability by application or component.
- Wide variety of communication protocols.
- Designed for robotic applications.

#### **CUSTOMISABLE**

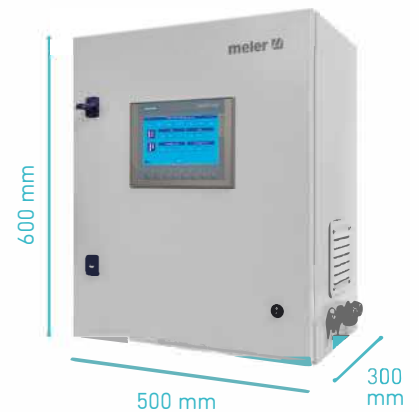
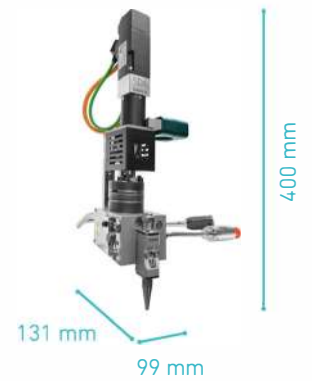
- Can be adapted to production line needs.
- Master/slave role.
- Configurable touchscreen.
- Client autonomy.



## APPLICATION WORK SCHEME



## DIMENSIONS



## TECHNICAL CHARACTERISTICS

Precision Rate	1% Tolerance (Max.) 1,5% Tolerance (for a CPK = 1,67)
Speed Lines	150...300mm/s
Flow Rate (*)	Min. 6g/min - Max. 400g/min (* Depending on the pump 1 cc, 2cc, 4cc)
Time response for bead sequences	Min. 0,9s for ±8 g/m change Min. 0,3s for ±1,6 g/m change
Applicator Pressure	80 bar (1305-1160 psi)
Equipment Feeding Pressure	30 bar (392-580 psi)
Max. Module Pneumatic Pressure	6 bar; dry, clean, unlubricated
Applicator Temperature Control	(Pt100, Ni120)
Applicator Operating Temperature	Up to 200 °C (392 °F) (see adhesive supplier recommendations)
Environmental Conditions	Ambient Temperature: 0...40°C Relative Humidity: 90% HR max. (at 30°C)
Supply Voltage	230 VAC, 50/60 Hz (from the melter unit)
Applicator Mass (approx.)	4,5kg